



■ 1.85mm Phase Adjuster DC - 63.0 GHz

Date: 27.02.2019 | Author: Tim Schwandner | Category: Adjusting Phase

Spectrum Elektrotechnik introduces a new member of his in-series, phase-adjustable Adapters family. The LS-0165-VFVM maintains 50 ohms over the full adjustment range from DC - 63.0 GHz.

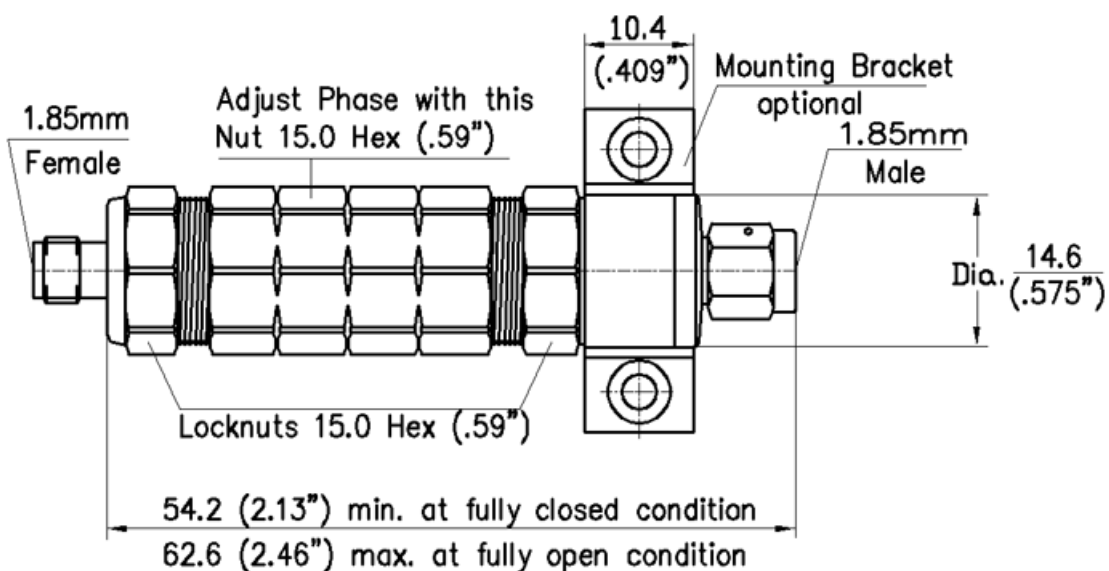
The product is needed for adjusting the electrical lengths of lines in applications where data rates of 40 GBit/s and above are being transferred in optical systems.

Features

- Physical length change of the unit equals the electrical length change.
- Smooth continuous phase adjustment.
- Positive resettable locking mechanism.
- Bead captivated center contacts.
- Rugged construction, housing and outer conductor made from Stainless Steel.
- Spring fingers and center contacts are made from beryllium copper, heat treated and gold-plated per MIL-G-45204, Type II, Grade C

This product is also available as High Precision Unit, showing superior electrical performance to 63.0 GHz, being easily identified by their gold-plated body.

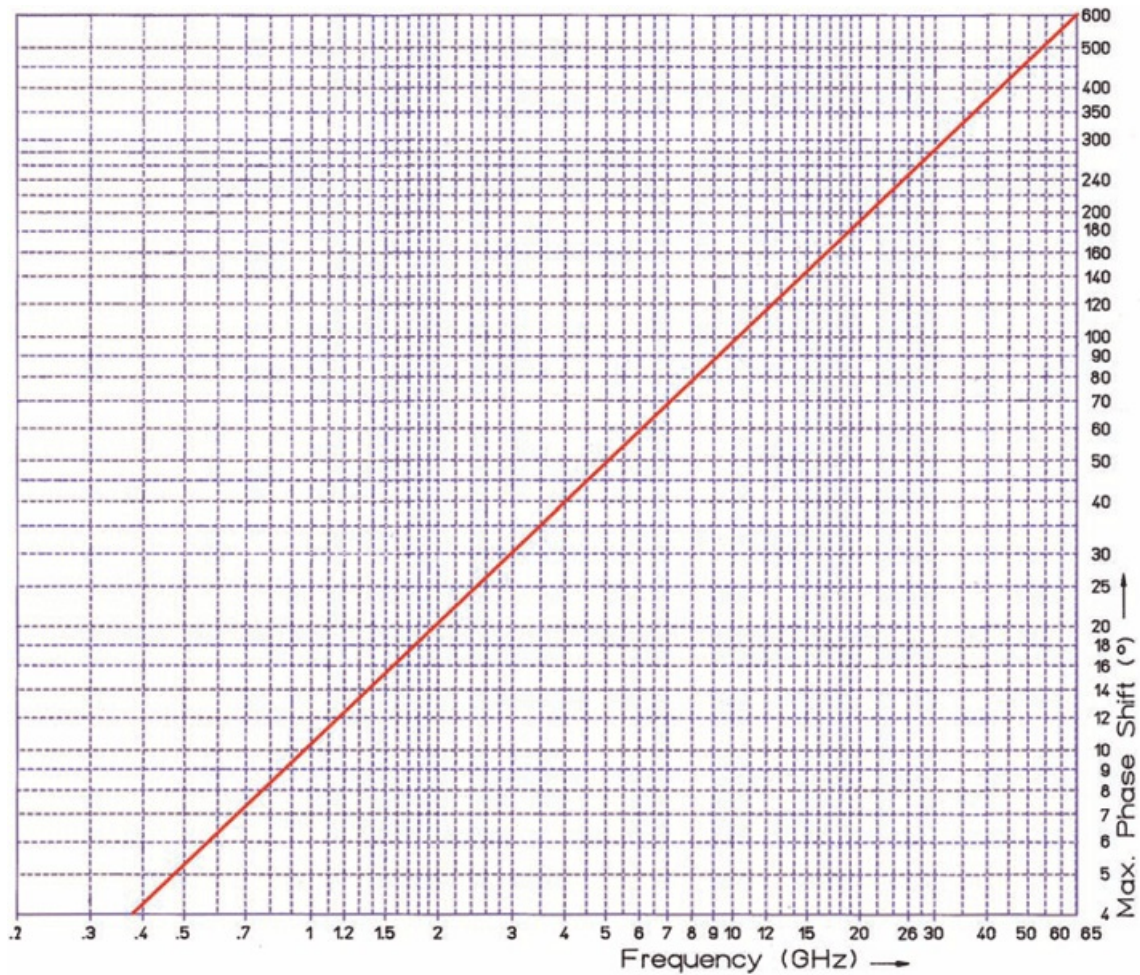
Outline Drawing



Specifications

Part No.	LS-0165-VFVM	LS-P165-VFVM
Interfaces	1.85 mm female to 1.85 mm male	
Frequency Range	DC - 63.0 GHz	
VSWR	1.50:1 max. to 63.0 GHz	1.40:1 max. to 63.0 GHz
Insertion Loss	0.8 dB max. @ 63.0 GHz	
Phase Shift	600° min. @ 63.0 GHz	
No. of Turns	8	
Nominal Phase Shift	1.2°/GHz/Turn	
Time Delay	167 psec. min. / 195 psec. max.	
Operating Temperature	-54°C to +85°C	
Weight	53 grams	55 grams

Phase Shift vs. Frequency



Spectrum Elektrotechnik GmbH

www.spectrum-et.com |
 sales@spectrum-et.com |
 +49 (0)89 / 354 804-0 |
 +49 (0)89 / 354 804-90